

1
Pull the cables to length leaving an adequate amount for cable management and termination.

2
Position each cable by grouping and routing the cables along the cable basket or tray to the desired point of termination securing the cables in place as close as possible to the point of entry in to the panel with additional cable ties as appropriate.

3
Ensure that the cable bend radius is maintained and not compromised during installation.

4
The panel may now be clipped into place or by using one of the universal fast fix options.

5
Spring steel foot support that provides a secure fastener for different width of cable baskets.

6
Turnbuckle clamping system for data cabinets cable trays.

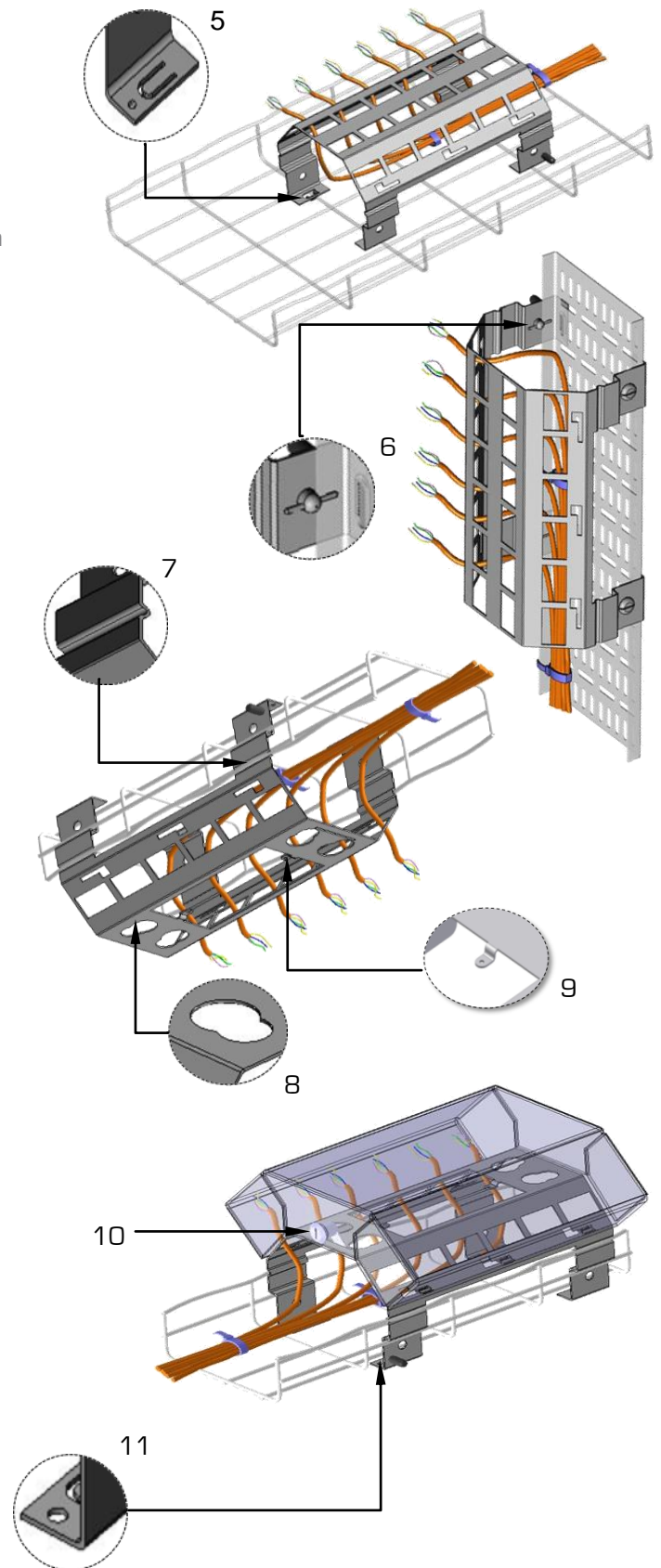
7
Moulded clamping rail system for clipping onto different cable baskets.

8
Mounting slots for different size conduit glands.

9
Double Gang slot to support different appliances.

10
Quick releases, lockable cover which protects an outlet from the insertion of a patch cord or foreign object. It provides a high level of physical security by preventing unauthorized or accidental connections and disconnections within a cabling system.

11
Mounting holes to provide a secure wall fixing.



The P0024 housing supports all LJ6C Models, Details available at

www.comtecdirect.co.uk